

RU

GB

INSTALLATION MANUAL
SKID PLATE FOR ENGINE BAY



GREAT WALL DW Hover H3 2.0T MT 4WD 2017- 

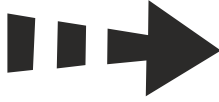
28.3445

19/04/21

1/6



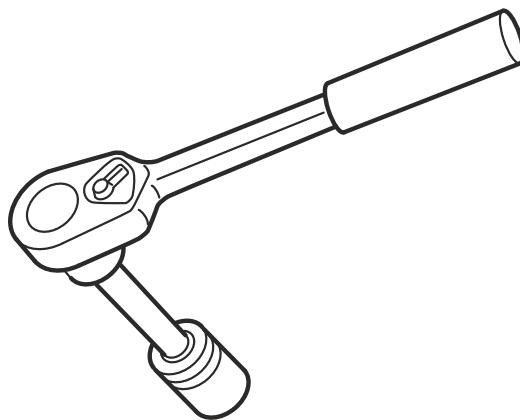
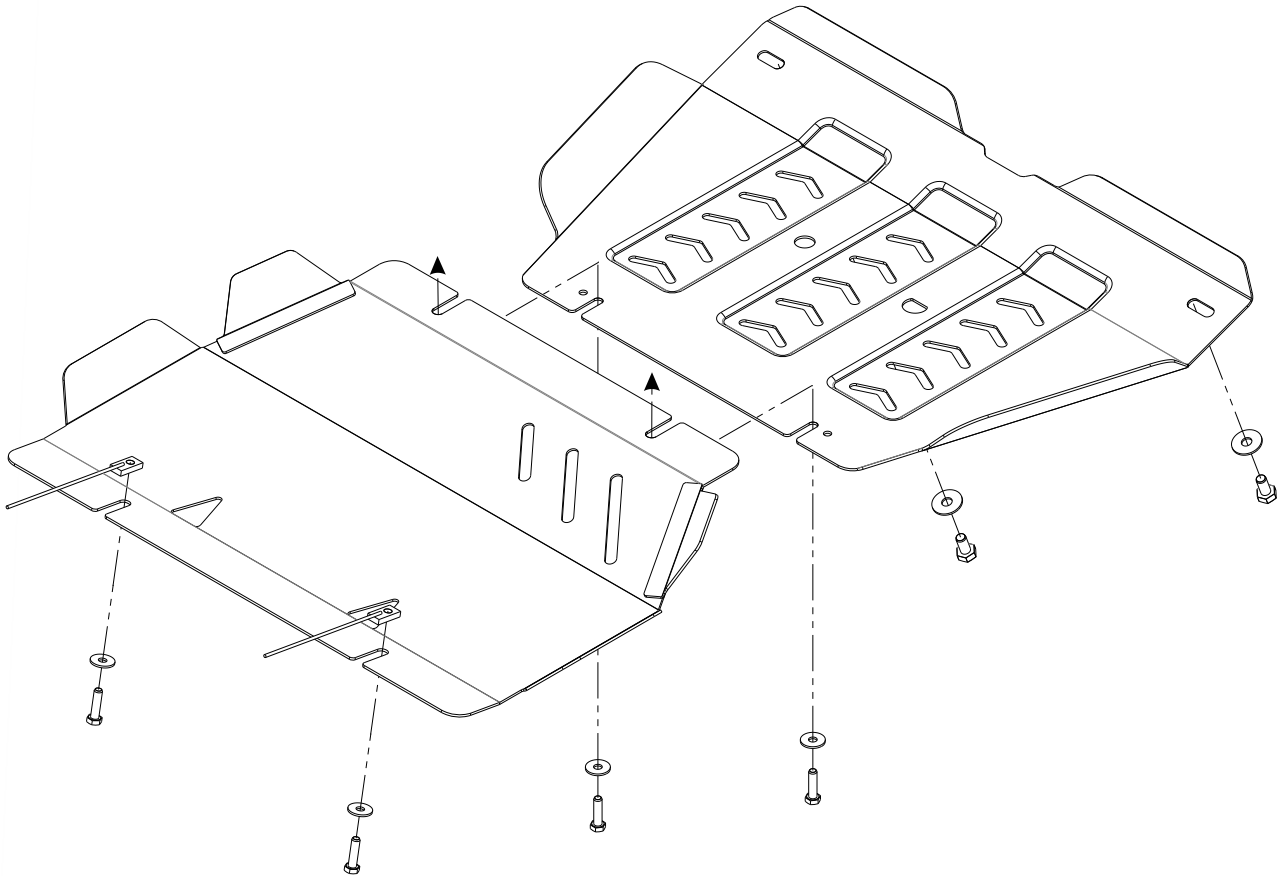
(RU) /
(GB) Location/Position Arrow

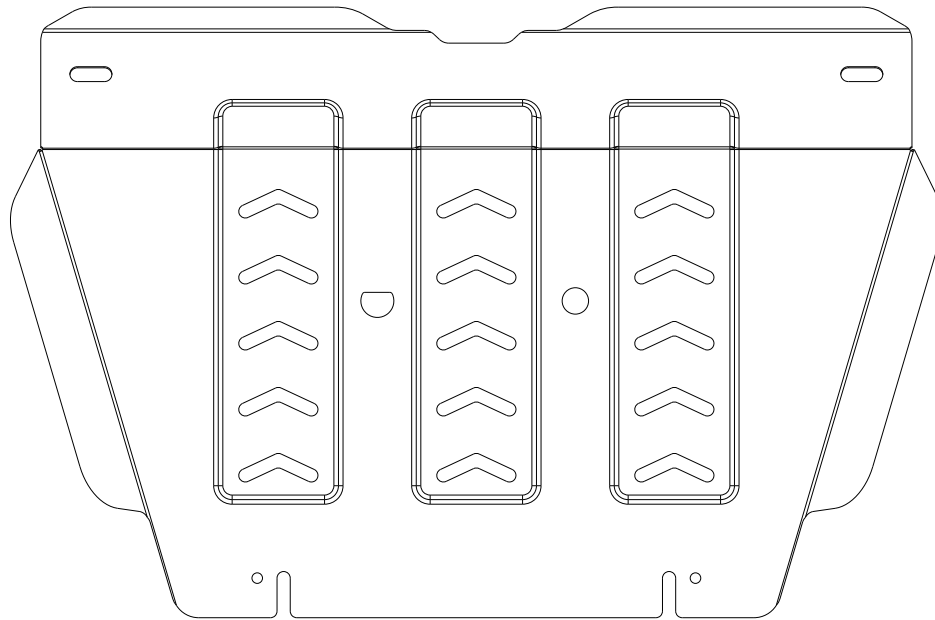
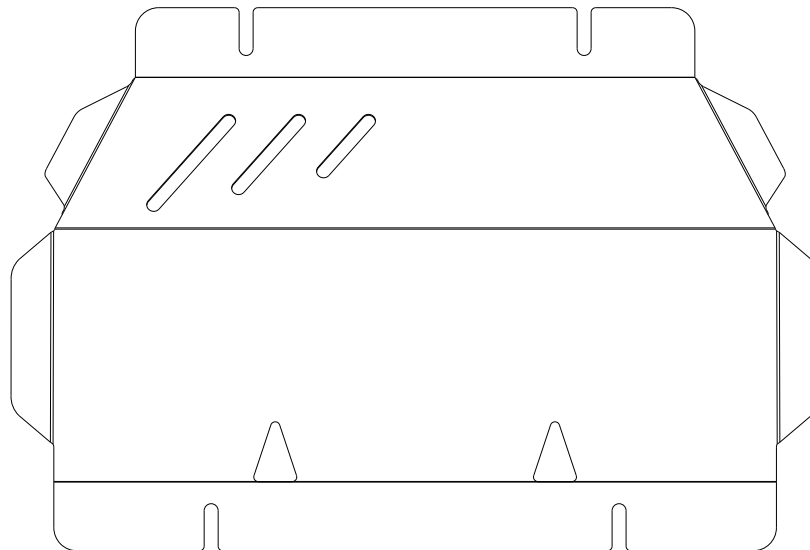
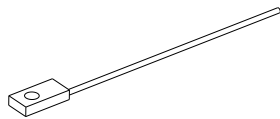


(RU)
(GB) Movement Arrow



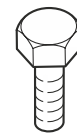
(RU)
(GB) Screw Arrow



A1**A2****B**

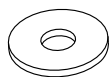
3008 L=150

2X



M8 30

4X

D

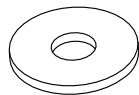
Ø8

4X

E

M10 1,25x20

2X

F

Ø10

2X

